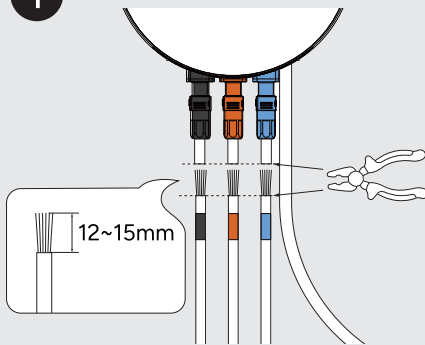


Junction Box Wiring

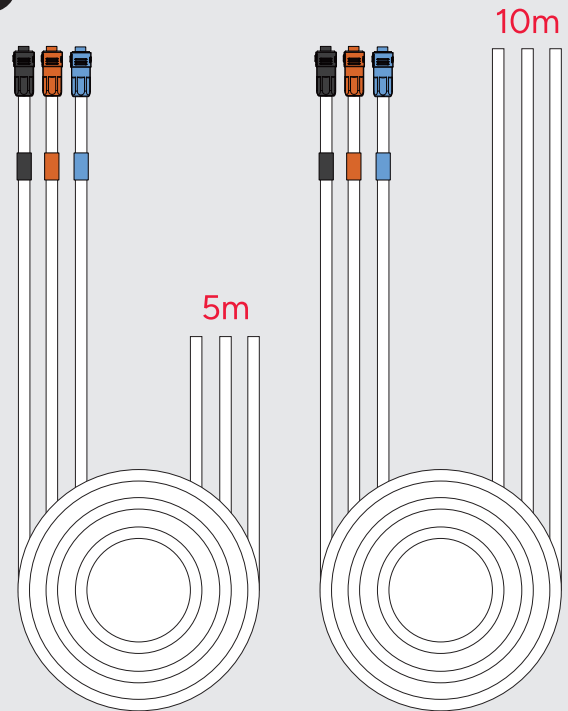
Maximale Kabellänge 15m

1



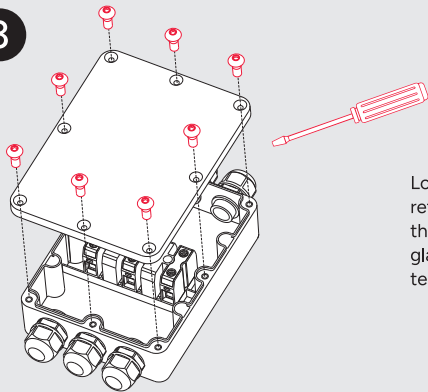
With power disconnected and the plug unplugged, cut off the quick connector from the original 5 m cable. Ensure the cut cable end has enough exposed conductor, and strip 0.47–0.59 in (12–15 mm) of insulation to facilitate connection.

2



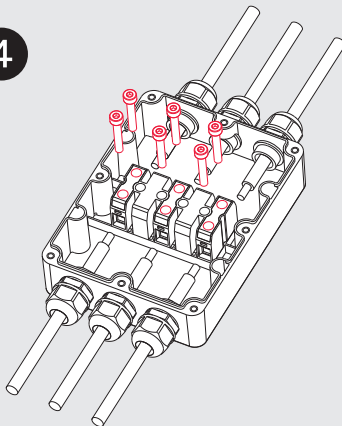
Select a 5 m (197 in) or 10 m (394 in) motor cable for installation.

3



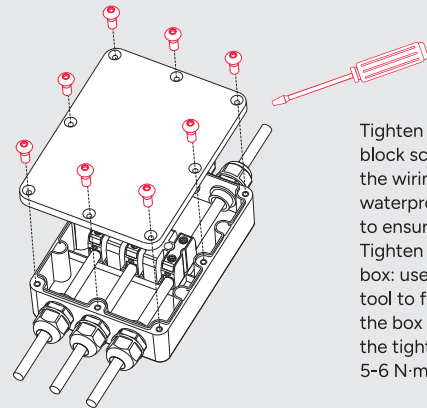
Loosen the junction box retaining screws, loosen the waterproof cable gland, and loosen the terminal block screws.

4



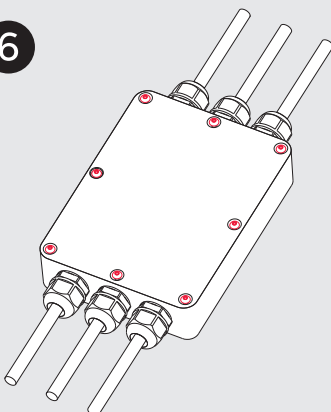
Wiring: Following the color markings, connect the cables in the sequence Black → Orange → Blue. Match the IN and OUT cable labels color-to-color (same colors mated). Ensure all terminations are tight and no conductor is exposed. Ensure the tightening torque is 1.5-2 N·m.

5



Tighten the terminal block screws to secure the wiring. Tighten the waterproof cable gland to ensure a proper seal. Tighten the junction box: use an appropriate tool to firmly tighten the box screws. Ensure the tightening torque is 5-6 N·m.

6



Ensure the junction box is securely mounted with no looseness or play. Connect the quick connector to the control box and make sure the connection is fully seated and locked.

7

Install the junction box at least 2 m from the pool edge to ensure electrical safety. Wall-mount the junction box whenever possible to avoid direct exposure to water.

